

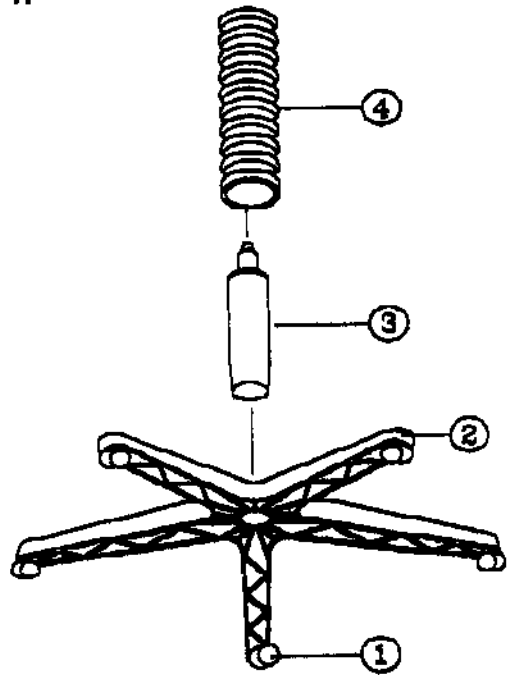


Assembly Instructions for "Monarch" Drafting Chair No. DC555-40

PARTS LIST

QTY	QTY	DESCRIPTION
1	6	CASTER
2	1	BASE
3	1	SEAT POST
4	1	SEAT POST COVER
5	1	MECHANISM
6	6	MECHANISM SCREW
7	1	FOOTREST
8	1	SEAT
9	1	UP & DOWN KNOB
10	1	BACKREST
11	1	BACKREST POST + COVER
12	1	PLASTIC STOPPER
13	1	MECHANISM PLASTIC BELLOW

STEP 1.



PREVENTIVE MAINTENANCE AND WARNING

- USE THIS PRODUCT ONLY FOR SEATING ONE PERSON AT A TIME.
- DO NOT USE CHAIR AS STEP STOOL/LADDER.
- DO NOT USE CHAIR UNLESS ALL BOLTS, SCREWS AND KNOBS ARE TIGHT.
- AT LEAST EVERY SIX MONTHS, CHECK ALL BOLTS, SCREWS AND KNOBS TO BE SURE THEY ARE TIGHT.
- IF ANY PARTS ARE MISSING, BROKEN, DAMAGED OR WORN, STOP USE OF THE PRODUCT UNTIL REPAIRS ARE MADE USING FACTORY AUTHORIZED PARTS.
- FAILURE TO FOLLOW THESE WARNINGS CAN RESULT TO SERIOUS INJURY.

STEP 2.

